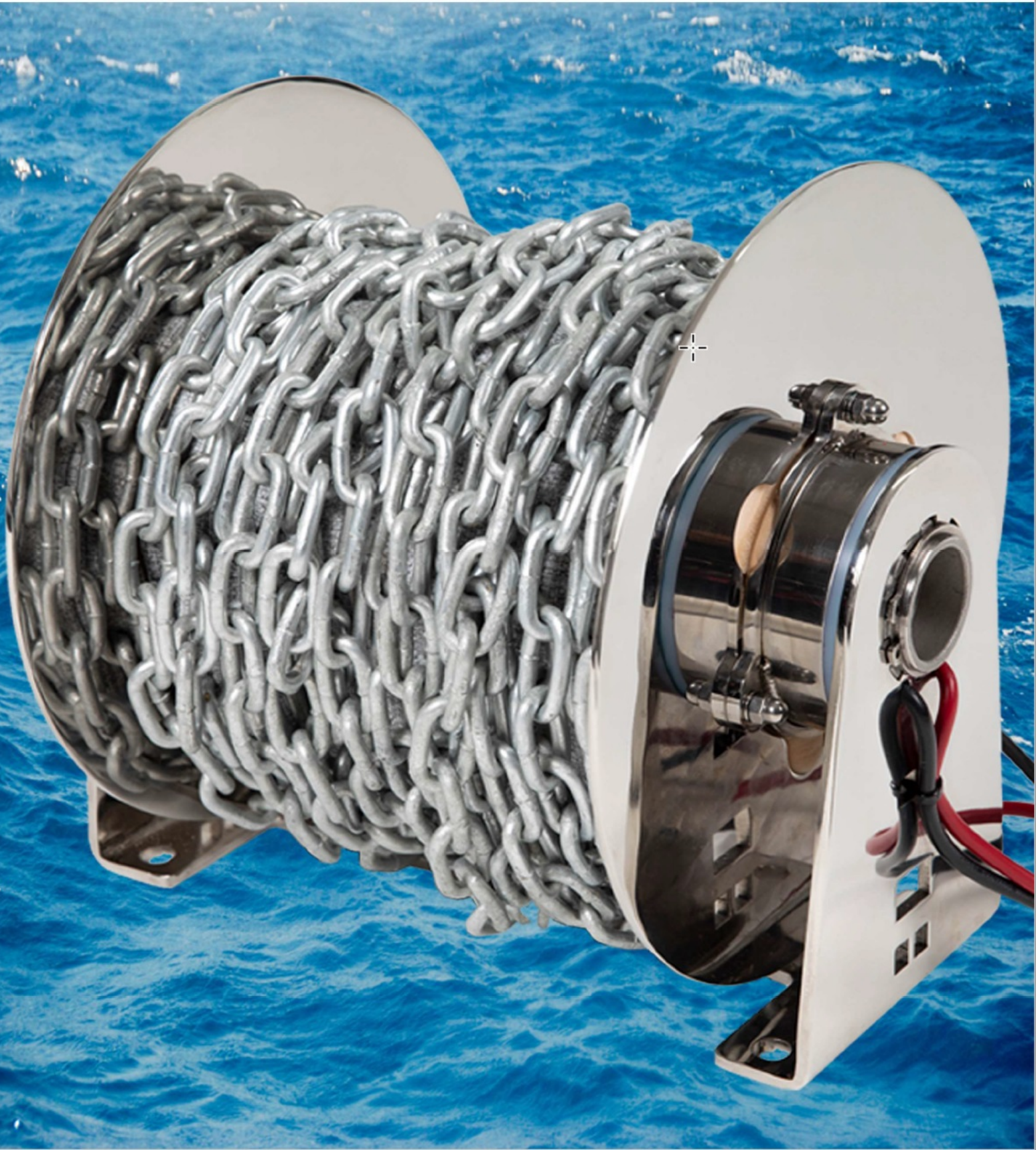
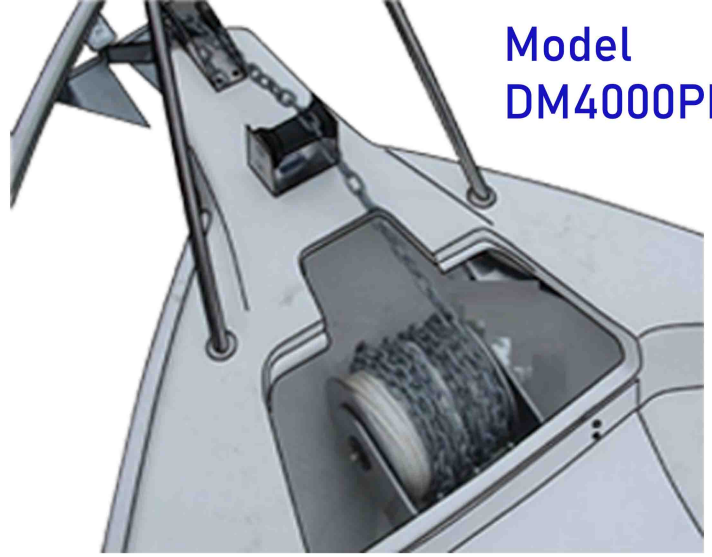


Smarta Winch

Total *FreeFall* Anchor Winch





The Space Saving Anchor Winch

Automatic anchor lifting for boats to 7.5m

The DM4000PM drum winch is designed to automatically lift the anchor of boats up to 7.5meters. A drum winch is an extremely robust method for anchor retrieval. It can haul either chain or rope of any type. It also does not damage the rope like gypsy type winches and it stores the anchor rope in the most efficient manner possible.

Why a Smartawinches drum winch?

Freedom to Anchor deeper

The motor, gears and clutch are built into the drum winch itself. There is no bulky 90 degree worm gear motor protruding from the side as earlier generation winches. This means that there is more room for rope and chain.

No damage to bow and fairlead

No more "Thud" as the anchor hits the Fairlead as with other winches! A spring attachment goes in between the anchor and chain to smooth engagement



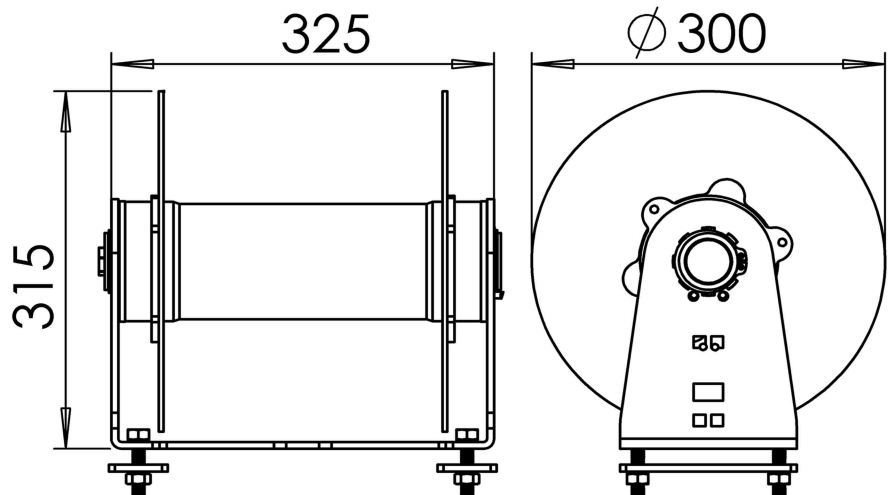
Rugged

External parts are Stainless steel. This means that not only is this unit strong but it is able to withstand the marine environment with ease. With no external 90 degree worm gear, all clutches, gears and motor are housed protected within the stainless steel drum immersed with grease.

Low current draw

The planetary gear set is up to 30% more efficient than worm gearboxes used on other winches. This means smaller wires to do the same job, a cooler motor and longer life.

Typical Winch Performance	
Voltage	12V
Normal Current Draw	70A
Weight	15Kg
Recovery Speed unloaded (Smallest -Biggest Diameter)	45-15m/min
Typical Stall Pull (Smallest -Biggest Diameter)	550-160kg
Free Fall Minimum Tension	1.2kg
Maximum Rope Storage (8mm dia)	150m



Contact Us Now

www.smartawinches.com
pbmarriott@xtra.co.nz